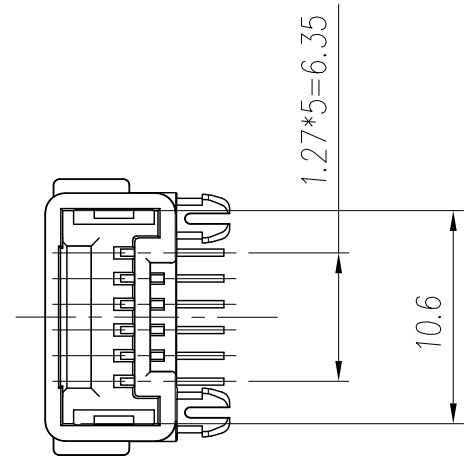
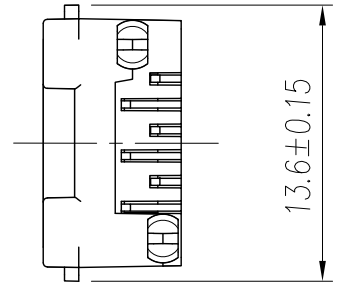
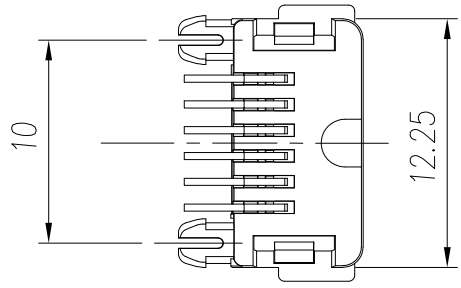
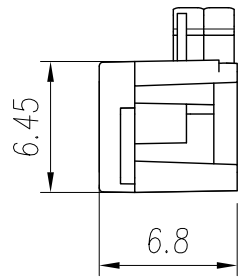
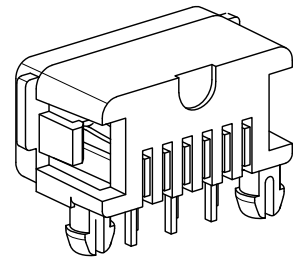


REV.	ECN NO OR DESCRIPTION	REVISED	DATE
AO	INITIAL RELEASE	KEN	23.02.02



SPECIFICATION NOTES:

ELECTRICAL:

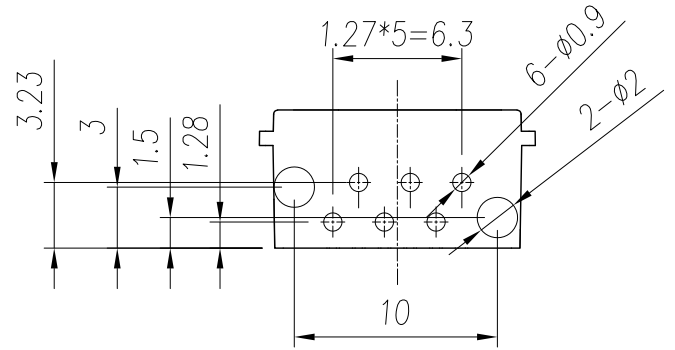
- 1.VOLTAGE RATING: 125 VAC RMS
- 2.CURRENT RATING: 1.5 AMP
- 3.CONTACT RESISTANCE: 20mΩ MAX.
- 4.INSULATION RESISTANCE: 1000MΩ MIN. AT500V DC.
- 5.DIELECTRIC STRENGTH: 1000 V AC OR 1500V DC RMS AT 0.5mA 50 Hz / 60 Hz FOR 1MINUTE

MECHANICAL:

- 1.HOUSING:HIGH TEMP. THERMOPLASTIC.
- 2.CONTACT:Brass, gold plating over nickel.
- 3.OPERATING LIFE:750 CYCLES MIN.

ENVIRONMENTAL:

- 1.STORAGE:-40°C TO +85°C RELATIVE HUMIDITY<80%
- 2.GUARANTEE PERIOD:12 MONTHS
- 3.OPERATION: -40°C TO +85°C



PCB LAYOUT

UNLESS OTHERWISE SPECIFIED TOLERANCES		Coorle Technology	
DECIMALS:	ANGLES:	TITLE	Wedo 2.0 Jack 6P6C
X :±0.20	X :±3°	DWN	Michael 23.02.02 PART-NO:
X.X :±0.10	X.X :±1°	CHKD	UNIT: mm
X.XX :±0.05		APVD	SHEET:1 OF 1 SCALE:1/1
ENGINEERING COPY			